



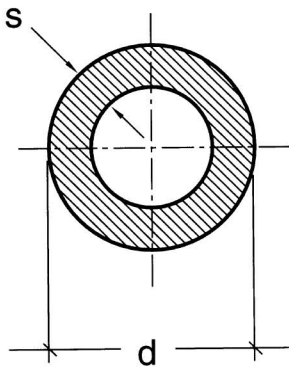
**Plastic Pipes & Fittings Factory**  
**Yousif Khalid Al-Adasani Ent.**

**POLYPROPYLENE  
PIPING SYSTEM**

**Al Adasani PP-R Pipes Range:**  
**DIN 8077, DIN EN ISO/ BS EN ISO 15874**

d (Outside Diameter in mm)	Pipe Series			
	2.5		2	
	Diameter - Wall thickness relationship (SDR)			
	6		5	
	Nominal Pressure			
	PN 20		PN 25	
	S (wall thickness in mm)	Weight kg/m	S (wall thickness in mm)	Weight kg/m
20	3.4	0.172	4.1	0.198
25	4.2	0.266	5.1	0.307
32	5.4	0.434	6.5	0.498
40	6.7	0.671	8.1	0.775
50	8.3	1.040	10.1	1.210
63	10.5	1.650	12.7	1.910
75	12.5	2.340	15.1	2.700
90	15.0	3.360	18.1	3.880
110	18.3	5.010	22.1	5.780
160	26.6	10.6	32.1	12.2

PN : Nominal Pressure in



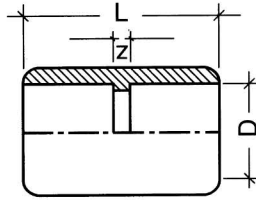
d : outside diameter  
s : wall thickness  
measurements in mm



# Al-Adasani PP-R Pipes Fittings

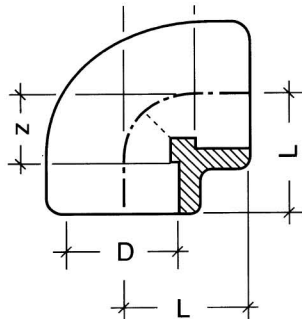
DIN 16962 - PN : 25 bars

DIN EN ISO/ BS EN ISO 15874



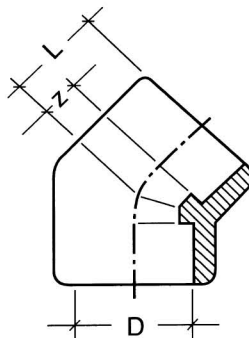
**WELDING SOCKET  
(COPP)**

D mm	L mm	Z mm
20	32	3
25	35	3
32	43	3
40	43	3
50	52	4
63	61	6
75	73	6
90	73	6
110	84	8



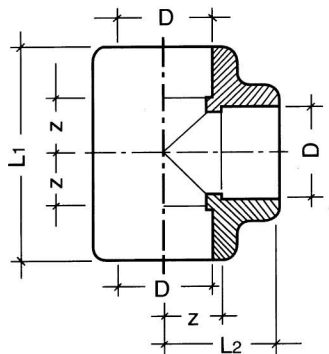
**WELDING ELBOW  
(BEPP 90°)**

D mm	L mm	Z mm
20	29	14
25	33	17
32	40	21
40	47	26
50	51	28
63	60	32
75	59	28
90	79	46
110	94	58



**WELDING ELBOW  
(BEPP 45°)**

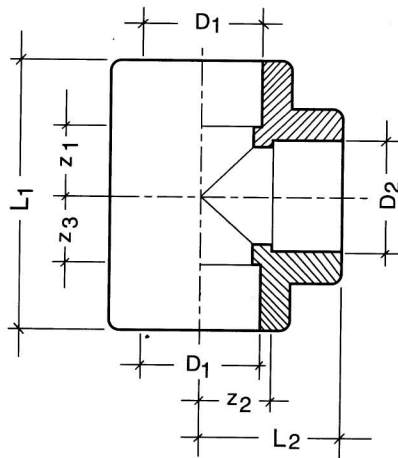
D mm	L mm	Z mm
20	22	4
25	26	7
32	30	9
40	34	12
50	34	12
63	42	14
75	46	16
90	65	35
110	74	42



**WELDING TEE  
(TEPP)**

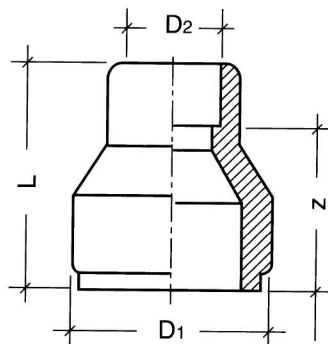
D mm	L <sub>1</sub> mm	L <sub>2</sub> mm	Z mm
20	54	27	12
25	63	31	13
32	75	38	16
40	86	44	21
50	105	52	26
63	122	62	33
75	139	70	39
90	159	82	49
110	179	94	59

**REDUCED WELDING TEE  
(TRPP)**



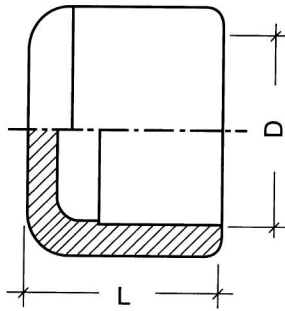
D <sub>1</sub> mm	D <sub>2</sub> mm	L <sub>1</sub> mm	L <sub>2</sub> mm	Z <sub>1</sub> mm	Z <sub>2</sub> mm	Z <sub>3</sub> mm
25	20	62	31	13	13	13
32	20	75	38	17	22	17
32	25	75	38	17	20	17
40	20	86.5	40.0	21.4	21.0	21.4
40	25	86.5	38.25	21.4	21.25	21.4
40	32	86	44	21	25	21
50	20	104	42.8	25.5	26.8	25.3
50	25	105	52	33	35	33
50	32	105	52	33	33	33
63	25	126	49.5	34	31.5	34
63	32	126	55.5	34	36.4	34
63	40	126	54.5	34	31.5	34
63	50	126	57.5	34	32.5	34
75	25	144	58	39.5	38.5	39.5
75	32	144	60	39.5	38	39.5
75	40	145	59.5	40.0	35.0	40.0
75	50	144	62	39.5	35.0	39.5
75	63	144	65	39.5	34.5	39.5

**REDUCED WELDING SOCKET  
(REPP)**



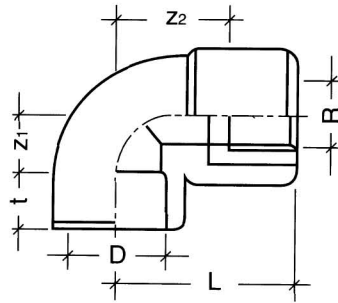
D <sub>1</sub> mm	D <sub>2</sub> mm	L mm	Z mm
25	20	39	23
32	20	42	26
32	25	43	26
40	20	50	30
40	25	50	30
40	32	50	30
50	20	55	35
50	25	55	35
50	32	55	37
50	40	54	34
63	25	65	48
63	32	65	45
63	40	65	44
63	50	72	45
75	32	65	45
75	40	67	45
75	50	68	43
75	63	72	44
90	40	65	41
90	50	76	51
90	63	79	51
90	75	82	52
110	63	88	60
110	75	92	60
110	90	95	63

**WELDING END CAP  
(EPPP)**



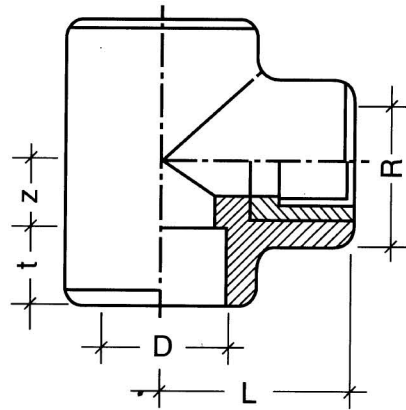
D mm	L mm
20	25
25	28
32	33
40	38
50	46
63	55
75	58
90	68

**WELDING ELBOW ADAPTOR,  
(FEMALE THREAD (ABPP))**



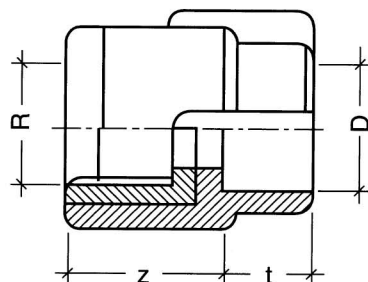
D mm	R Inch	t mm	Z <sub>1</sub> mm	Z <sub>2</sub> mm	L mm
20	1/2"	18	11	20	35
20	3/4"	18	17	24	39
25	1/2"	20	15	24	39
25	3/4"	20	15	24	39
32	3/4"	18	12	32	66
32	1"	18	12	32	66

**WELDING TEE ADAPTOR  
FEMALE THREAD (ATPP)**

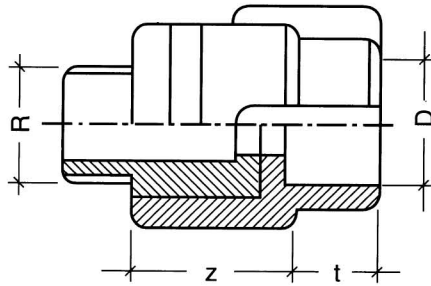


D mm	R Inch	t mm	Z mm	L mm
20	1/2"	16	11	36
20	3/4"	18	14	40
25	1/2"	16	15	44
25	3/4"	18	14	40
32	1"	18	12	65

**FEMALE ADAPTOR  
(FAPP)**

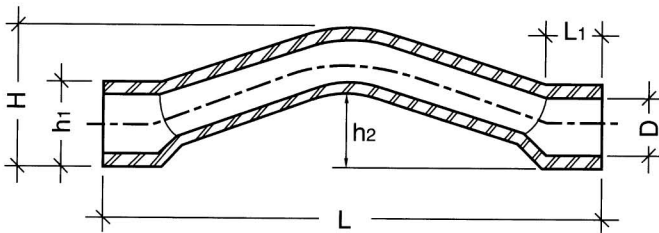


D mm	R Inch	t mm	Z mm
20	1/2"	16	25
20	3/4"	18	25
25	1/2"	16	26
25	3/4"	18	25
32	3/4"	20	40
32	1"	20	40
40	1 1/4"	20	46
50	1 1/2"	24	46
63	2"	28	48



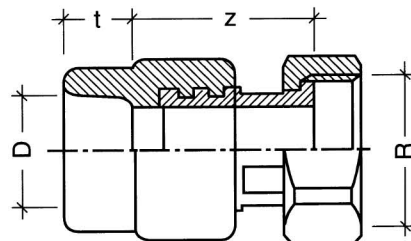
**MALE ADAPTOR  
(MAPP)**

D mm	R Inch	t mm	Z mm
20	1/2"	16	25
20	3/4"	18	25
25	1/2"	16	26
25	3/4"	18	25
32	3/4"	20	37
32	1"	20	37
40	1 1/4"	20	45
50	1 1/2"	24	42
63	2"	28	52
75	2 1/2"	29	50



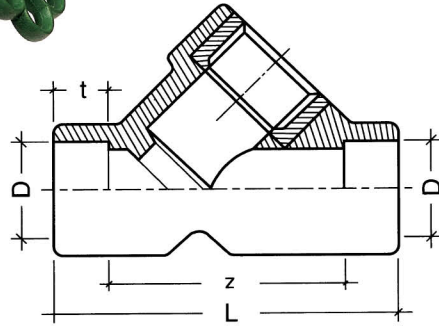
**STEP-OVER BEND  
(SOPP)**

D mm	H mm	h <sub>1</sub> mm	h <sub>2</sub> mm	L <sub>1</sub> mm	L mm
20	46	28.2	24	15.5	160
25	58.0	35	32	22	201
32	66	43	34.5	22.5	172
40	82	53	43	21.5	240



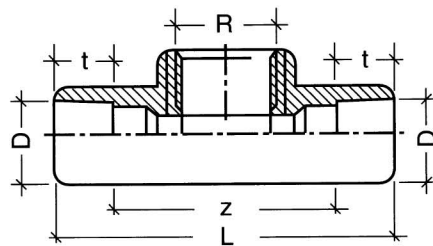
**WELDING UNION PP TO BRASS  
(UBPP)**

D mm	R Inch	t mm	Z mm
20	3/4"	16	44
25	3/4"	16	44
32	1"	19	45
40	1 1/4"	21	48
50	1 1/2"	24	54
63	2"	30	60



**SLANTED SEAT VALVE  
(GVPP)**

D mm	t mm	Z mm	L mm
25	16	86	118
32	18	82	118



**CONCEALED / SHUT OFF VALVE  
(CVPP)**

D mm	R Inch	t mm	Z mm	L mm
20	3/4"	15	66	96
25	3/4"	16	64	96
32	1"	18	80	116
40	1"	21	73	115

WARH



Welding plug for repair of holes  
up to ø8mm

WAPL



assembly plug for gauge "1/2"